

# TEAC SL-D950 POWER PCB

1 2 3 4 5 6 7 8

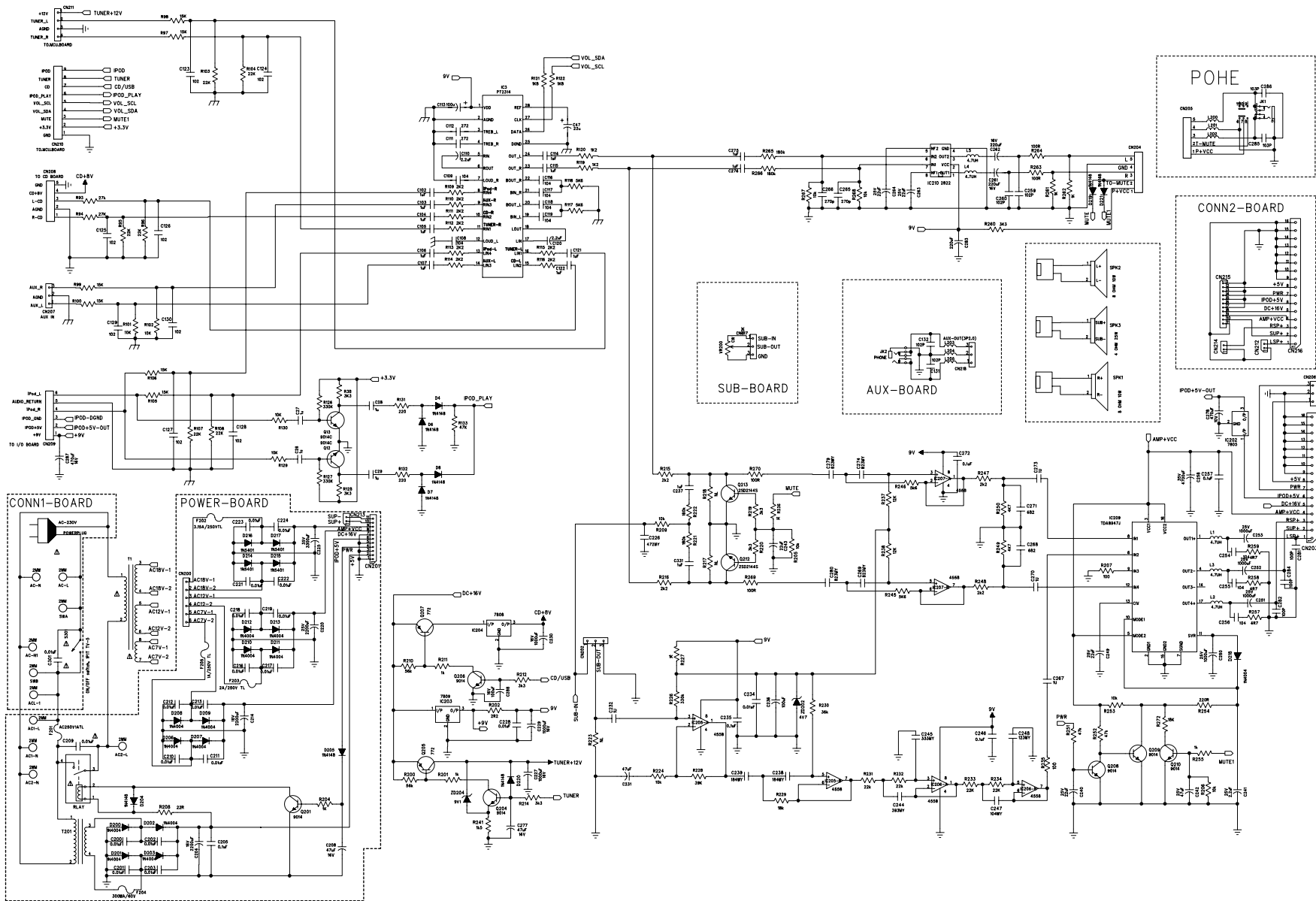
A

B

C

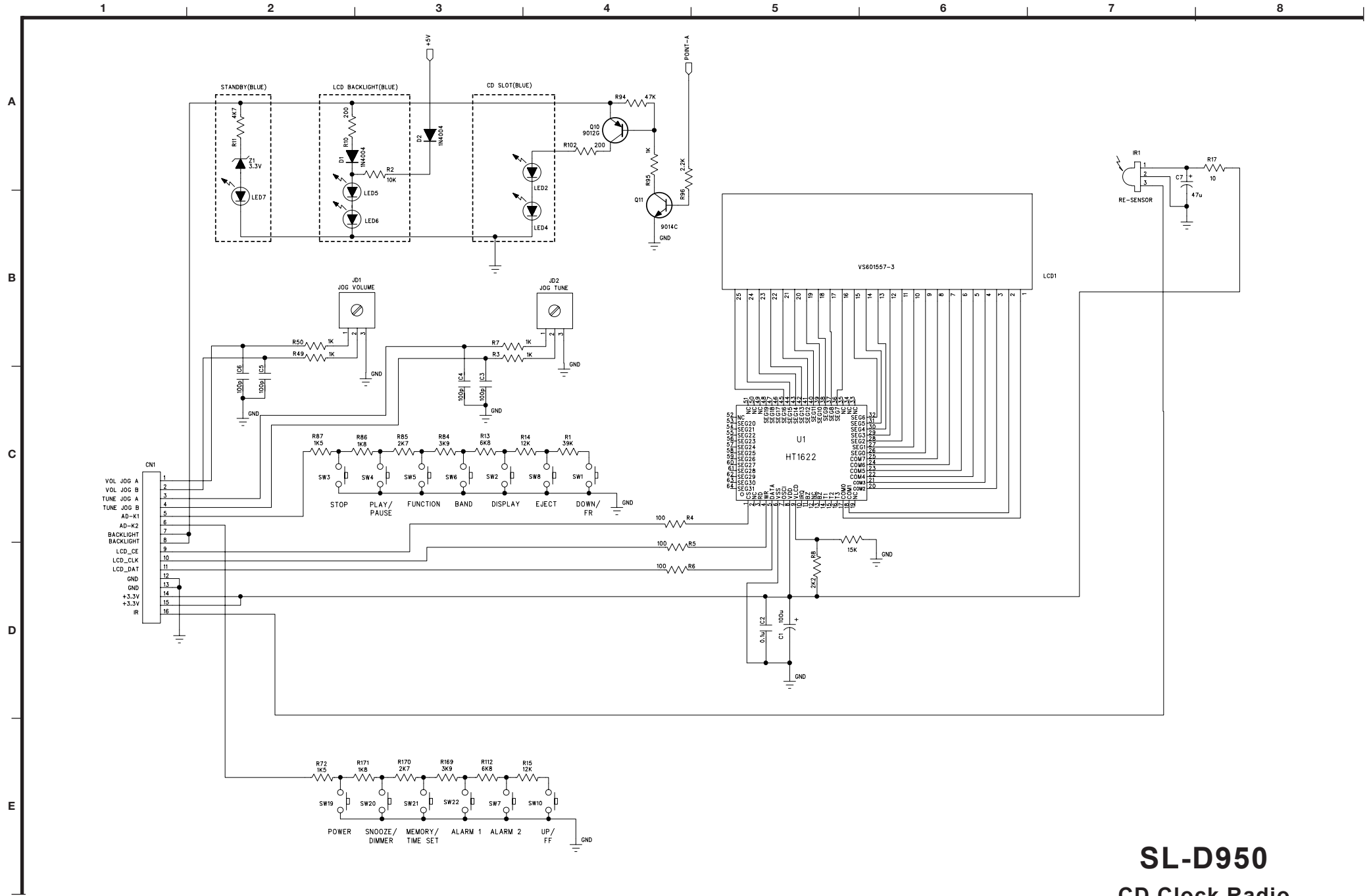
D

E



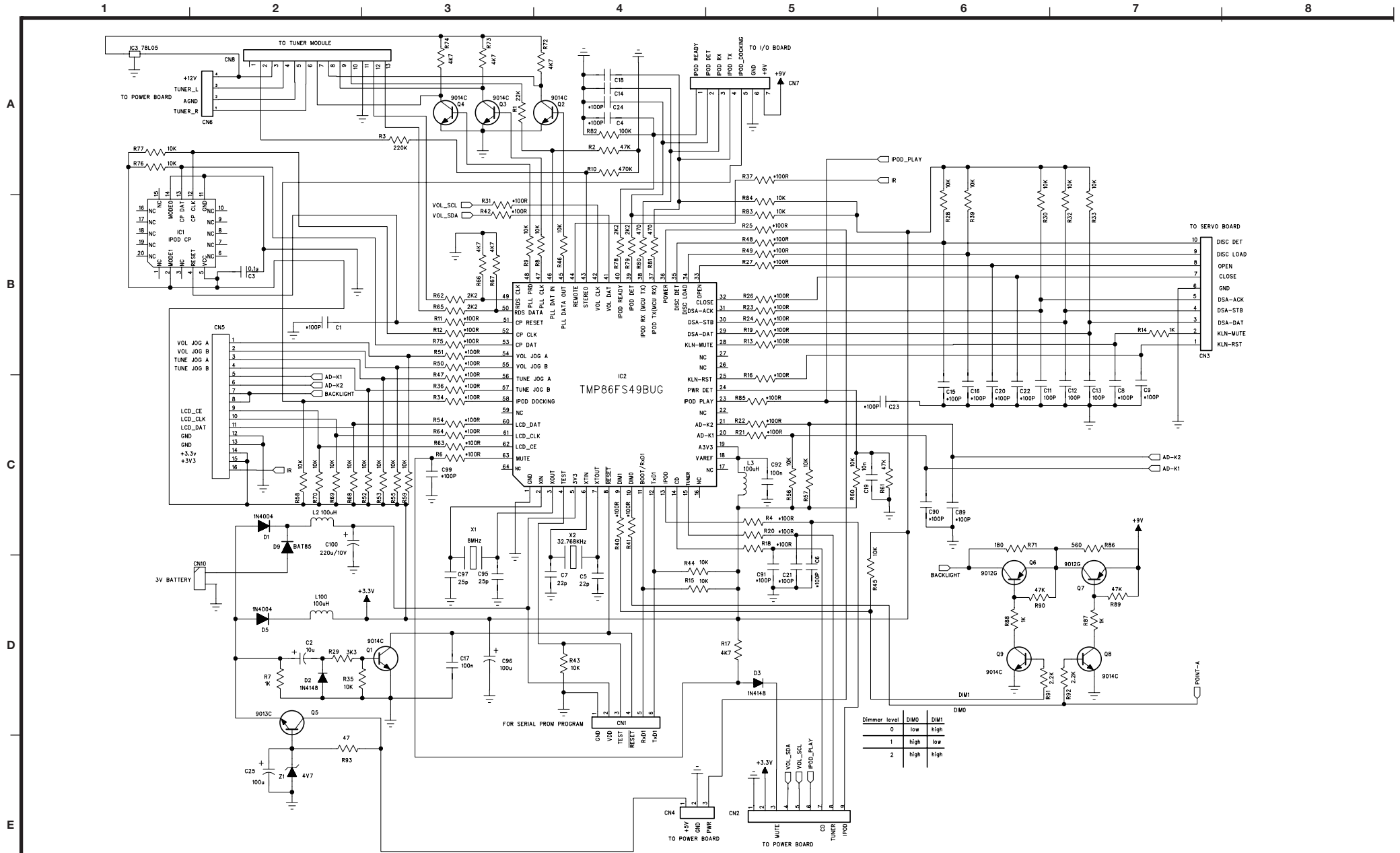
**SL-D950**  
CD Clock Radio

# TEAC SL-D950 LCD PCB



**SL-D950**  
**CD Clock Radio**

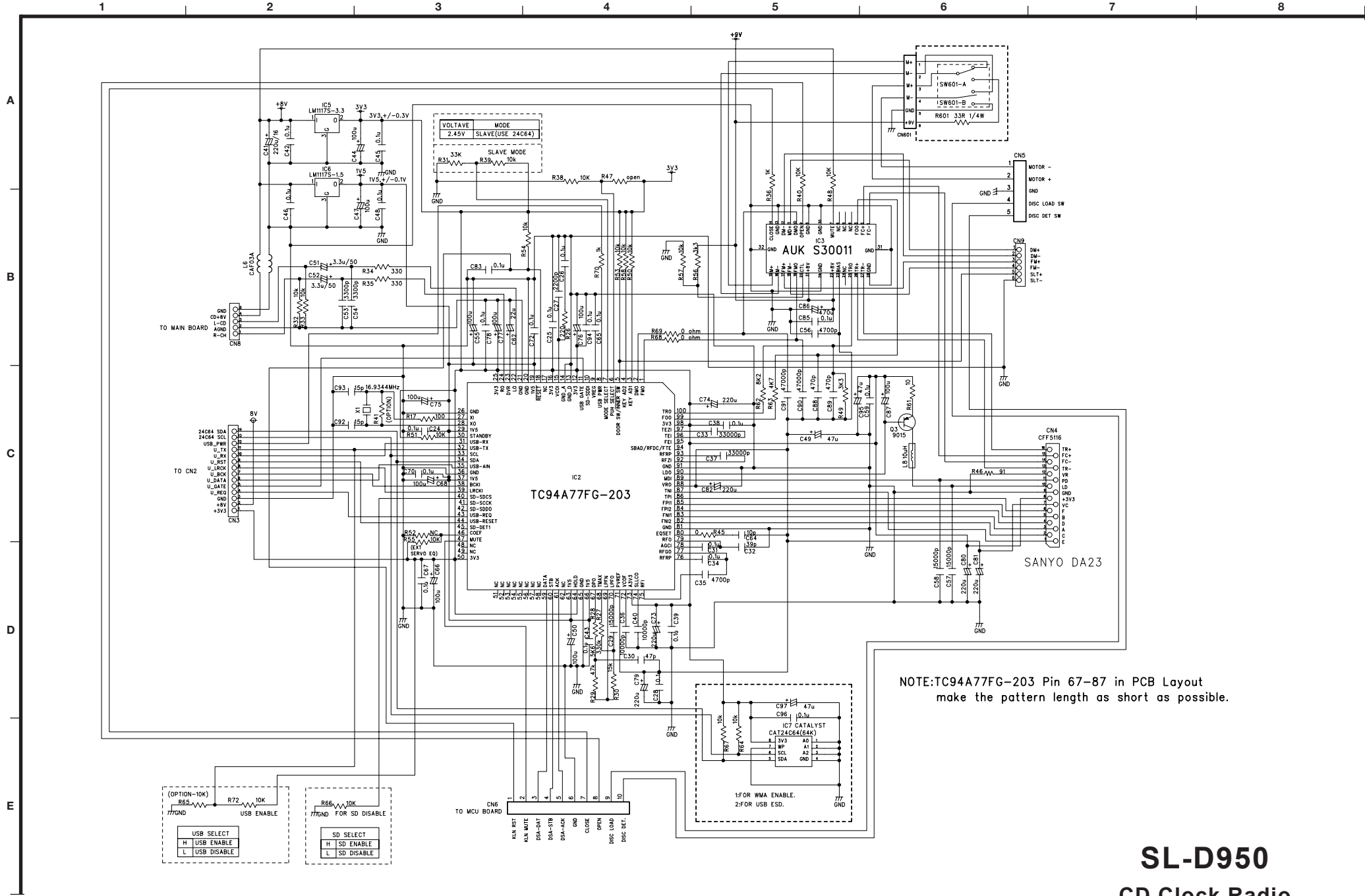
# TEAC SL-D950 MAIN PCB



REMARK: \*100R AND \*100P FOR ESD.

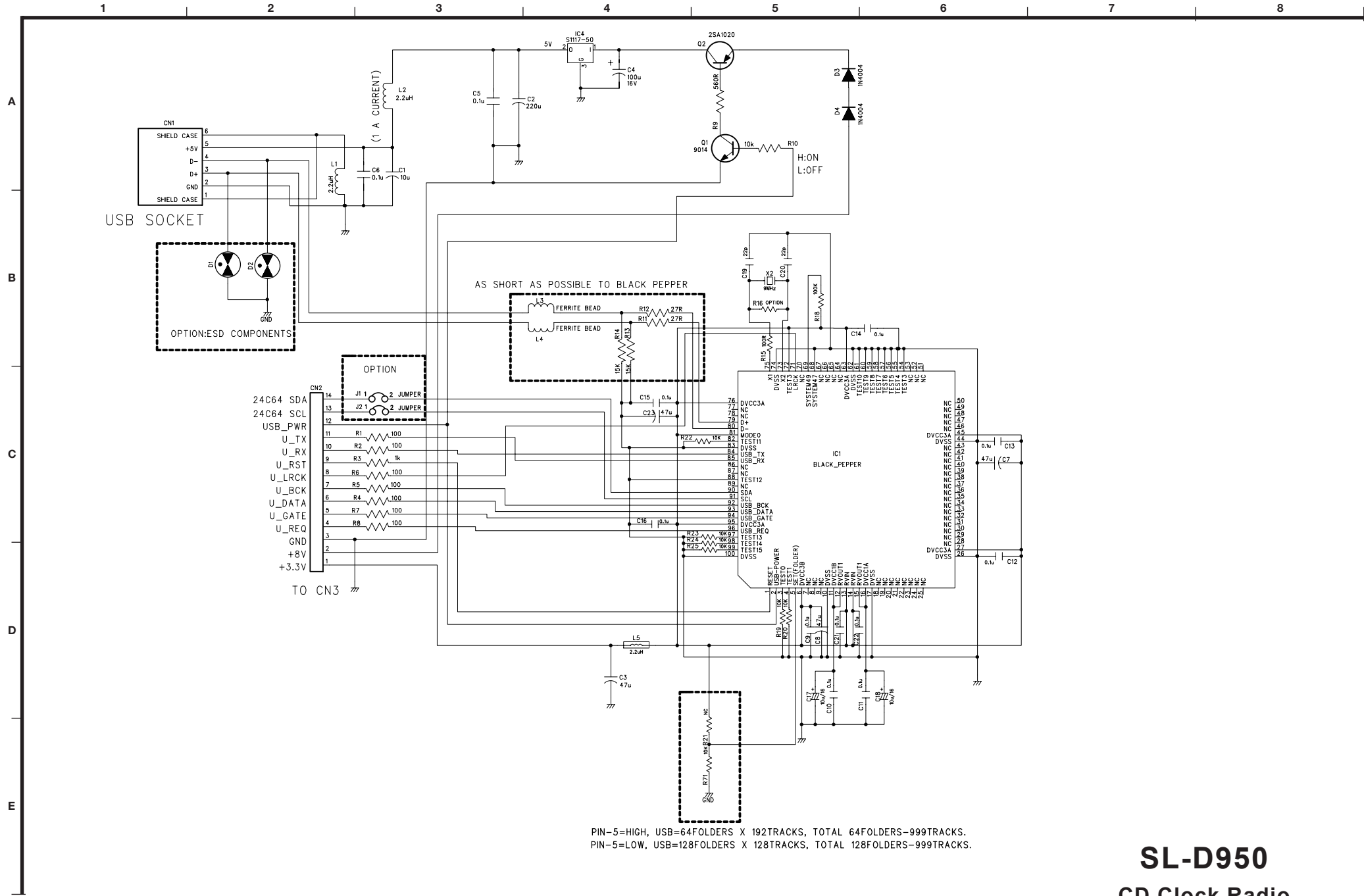
## SL-D950 CD Clock Radio

# TEAC SL-D950 SERVO PCB



## SL-D950 CD Clock Radio

# TEAC SL-D950 SERVO PCB



PIN-5=HIGH, USB=64FOLDERS X 192TRACKS, TOTAL 64FOLDERS-999TRACKS.  
 PIN-5=LOW, USB=128FOLDERS X 128TRACKS, TOTAL 128FOLDERS-999TRACKS.

**SL-D950**  
**CD Clock Radio**